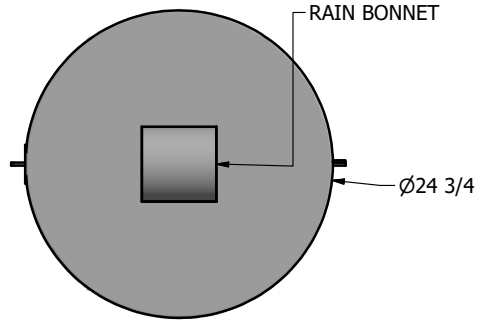
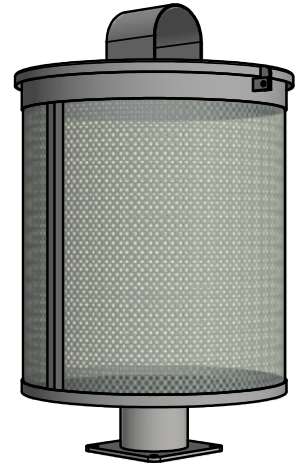


4 3 2 1



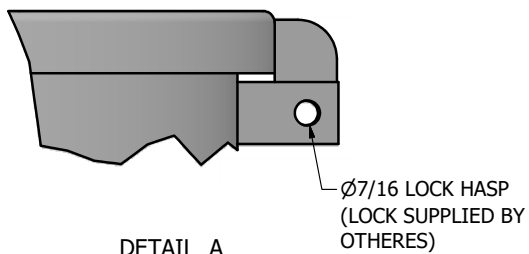
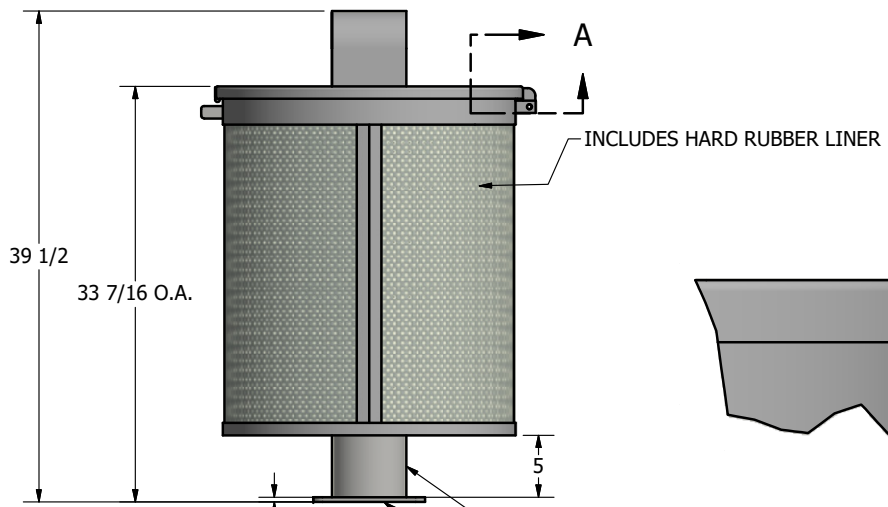
SALES NOTE:
SOLD WITH RUBBER LINER, FOR NO LINER
SEE MODEL # 35861-XXX



| CONFIGURATION A | |
|-----------------|---------|
| 1 | PLANT 1 |
| 2 | PLANT 2 |

| CONFIGURATION B - ANCHORS | |
|---------------------------|---|
| 0 | NO ANCHORS |
| 1 | 1/2" X 3 3/4" SUP-R ANCHORS, ZINC |
| 2 | 1/2" X 3 3/4" SUP-R ANCHORS, STN STL |
| 3 | 1/2" X 4 1/4" SUP-R ANCHORS, ZINC |
| 4 | 1/2" X 4 1/4" SUP-R ANCHORS, STN STL |
| 5 | 1/2" X 3 3/4" HILTI TZ ANCHORS, ZINC |
| 6 | 1/2" X 3 3/4" HILTI TZ ANCHORS, STN STL |
| 7 | 1/2" X 4 1/2" HILTI TZ ANCHORS, ZINC |
| 8 | 1/2" X 4 1/2" HILTI TZ ANCHORS, STN STL |
| 9 | SPECIAL - SPECIFIED ON SALES ORDER |

| CONFIGURATION C - FINISH | |
|--------------------------|--------------------------------------|
| 0 | NONE |
| 1 | STANDARD POWDER COAT |
| 2 | STANDARD POWDER COAT WITH CLEAR COAT |
| 3 | PREMIUM POWDER COAT |
| 4 | PREMIUM POWDER COAT WITH CLEAR COAT |
| 5 | TBD |
| 6 | TBD |
| 7 | TBD |
| 8 | TBD |
| 9 | SPECIAL - SPECIFIED ON SALES ORDER |



DETAIL A
SCALE 1/2

EXAMPLE: 3 5 7 0 8, - 2 1 1
DRAWING NUMBER CONFIGURATION A CONFIGURATION B CONFIGURATION C

3/8 THK STL. PLATE
 3/8" THK. x 9" SQ. STL. PLATE
 BAND, TRASH CAN PEDASTAL
 6" DIA x 1/8" W.T. STL. TUBE

THE DESIGN AND DRAWINGS REMAIN THE INTELLECTUAL PROPERTY OF TOLAR MFG. AND ARE PROTECTED BY LAW. THEY MAY NOT BE ALTERED, REPRODUCED OR USED FOR FABRICATION WITHOUT EXPRESSED WRITTEN CONSENT FROM TOLAR MFG. ALL DOCUMENTS TO BE RETURNED TO TOLAR MFG. AT COMPLETION OF WORK. CONTRACTOR TO SITE VERIFY ALL DETAILS AND DIMENSIONS AND REPORT ANY AND ALL DISCREPANCIES TO TOLAR MFG. BEFORE COMMENCING WITH THAT RELATED PORTION OF THE WORK.

| | | | |
|---|-------------------|---|---------------|
| | | Tolar Manufacturing Company, Inc 258 Mariah Circle, Corona CA. 92879 | |
| DESCRIPTION 32G. TRASH CAN W/ RAIN BONNET - INCLUDES LINER | | | |
| CUSTOMER/VENDOR TOLAR STANDARD | | SHEET NO. 1 OF 1 | |
| SIZE B | MATL. ALL STL. | DWG NO. 35708 | REV. NO. - |
| STOCK #: | DATE 9/24/2018 | DRAWN BY: RFarr | |

T:\Inventor\Trash Cans\35708.idw

4 3 2 1