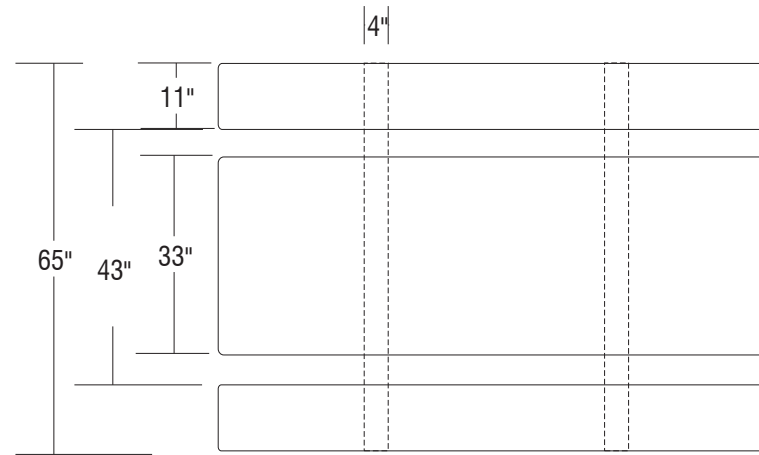
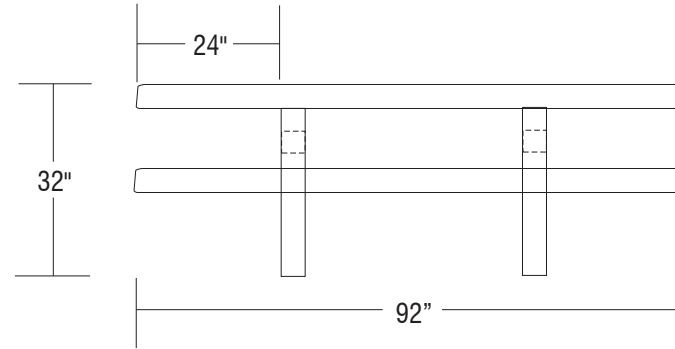
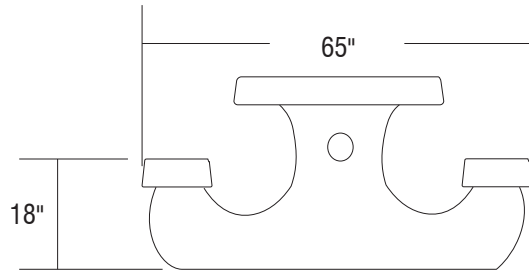


ITEM	UNIT OF MEASURE	QTY	UNIT PRICE	TAX	EXTENDED PRICE (UNIT PRICE + TAX)	SHIPPING & DELIVERY	TOTAL COST
One-piece concrete tables with a minimum compression strength of 5000 psi and reinforced with appropriate rebar grid. It should have a length between 92" and 96", width between 60" and 70" and height between 30" and 35" and a minimum weight of 2000 lbs. The tables can have round or square legs but must be the same as the rest of the picnic tables in the bid. The table-top should be a smooth surface and medium grey and must have a Nano heavy duty non-sacrificial sealer to protect against environmental elements and graffiti.	EA	3	\$1005	\$103.01	\$3324.03	\$482.33	\$3806.36
One-piece concrete table with a minimum compression strength of 5000 psi and reinforced with appropriate rebar grid. It should have a length between 92" and 96", width between 64" and 70" and height between 30" and 35" and a minimum weight of 2000 lbs. The tables can have round or square legs but must be the same as the rest of the picnic tables in the bid. The table-top should be a smooth surface and medium grey and must have a Nano heavy duty non-sacrificial sealer to protect against environmental elements and graffiti. Wheelchair accessibility at either end and other specifications of table to meet A.D.A. guidelines.	EA	1	\$1040.11	\$106.61	\$1146.72	\$160.77	\$1307.49
One-piece concrete benches with back and arm rests with a minimum compression strength of 5000 psi and reinforced with appropriate rebar grid. It should have armrests, anti-skate bumps, a length of 84", width between 24" and 30" and height a minimum of 36", and a minimum weight of	EA	8	\$800	\$82.00	\$7056.00	\$1286.16	\$8342.16

2000 lbs. The bench should be a smooth surface and medium grey and must have a Nano heavy duty non-sacrificial sealer to protect against environmental elements and graffiti.							
Square or rectangular concrete trash receptacles with a minimum compression strength of 5000 psi and reinforced with appropriate rebar grid. It should be a minimum 30-gallon size, have a height, length, and width between 30" and 36" and a minimum weight of 1500 lbs. It should have a powder coated steel lid and inserts for attaching bag hangers and lid retaining cable. The receptacle should be a smooth surface and medium grey and must have a Nano heavy duty non-sacrificial sealer to protect against environmental elements and graffiti.	EA	70	\$600	\$61.50	\$46305.00	\$9646.88	\$55951.88
<b>TOTAL PIECES</b>		<b>82</b>					
<b>TOTAL COST</b>			\$	\$	\$	\$	\$



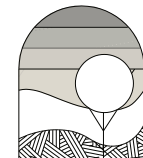
NOTES:

1. Concrete mix design to include a mixture of Portland Cement, water, coarse and fine aggregates, pure mineral oxide coloring agents (when applicable) to yield a minimum compressive strength of 5000 psi.
2. Final product shall be reinforced with #4 and #5 rebar grid.
3. Product is cast in 1-piece with no assembly required.
4. Hairline cracks may develop over time. These are not structural failures, but inherent characteristics of the material itself.
5. Air pockets are a common occurrence in precast products. The frequency and size of air pockets are variable and to be expected, especially on vertical surfaces.
6. Concrete corners and edges will chip if not handled according to guidelines. Patch kits are available but may or may not blend and can be variable.
7. There is a level of care and maintenance associated with your product and is the responsibility of the end user. Choosing the right sealer can help minimize those costs.

WEIGHT: 2050 LBS  
TEXTURE: Smooth  
COLOR: ODC Medium Gray  
SEALER: Nano Tech Barrier



\* Wheelchair Accessibility available at both ends of table to meet A.D.A. Guidelines



**OUTDOOR CREATIONS INC.**  
2270 Barney Street  
Anderson, CA 96007  
(530) 365-6106  
FAX (530) 365-5129

MODEL #100SLE CONCRETE PICNIC TABLE  
WITH LEFT SIDE WHEELCHAIR ACCESS  
TRASH PROGRAM - CITY OF CARSON, CA

OUTDOOR CREATIONS, INC.

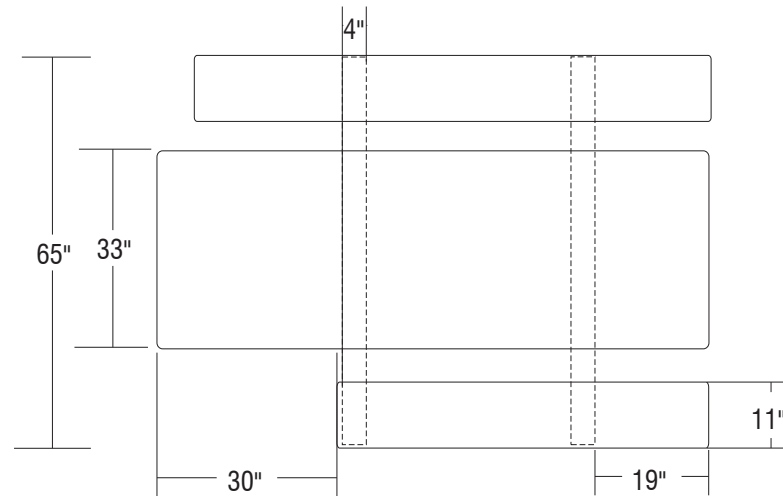
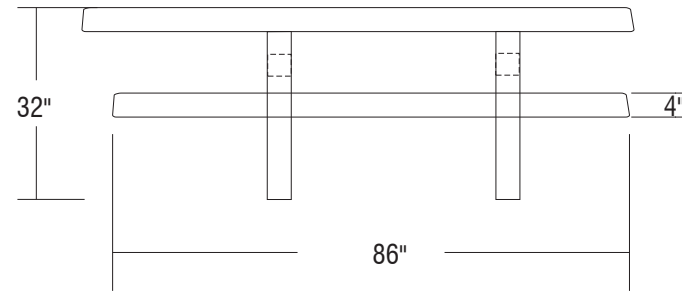
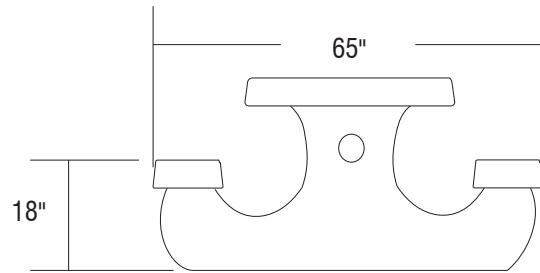
CUSTOMER APPROVAL x

SCALE: 1" = 32"

MAN. TOL. +/- 1/4"

DRAWN BY: MNC

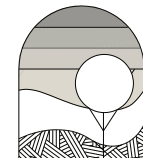
1/3/22



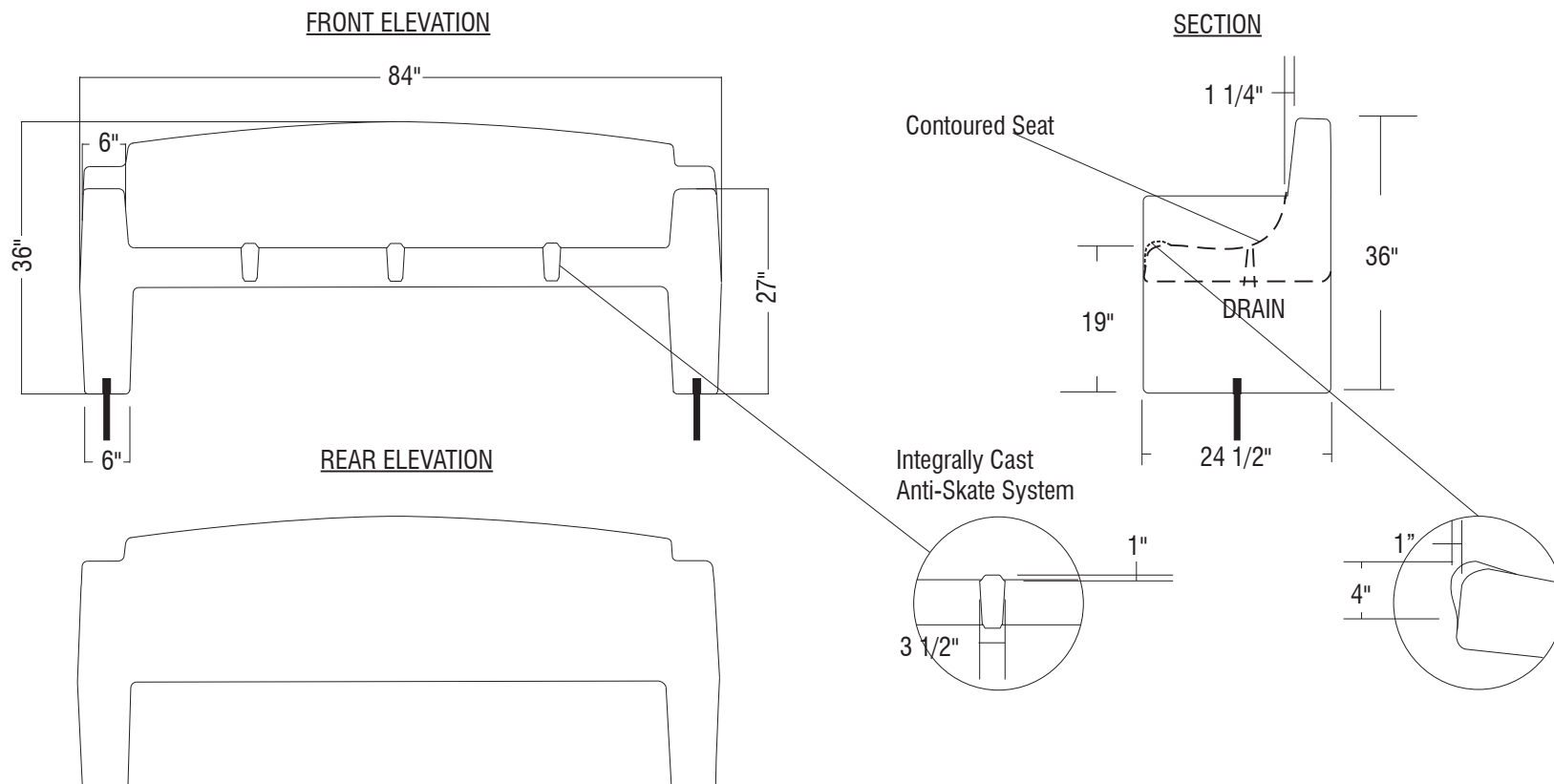
NOTES:

1. Concrete mix design to include a mixture of Portland Cement, water, coarse and fine aggregates, pure mineral oxide coloring agents (when applicable) to yield a minimum compressive strength of 5000 psi.
2. Final product shall be reinforced with #4 and #5 rebar grid.
3. Product is cast in 1-piece with no assembly required.
4. Hairline cracks may develop over time. These are not structural failures, but inherent characteristics of the material itself.
5. Air pockets are a common occurrence in precast products. The frequency and size of air pockets are variable and to be expected, especially on vertical surfaces.
6. Concrete corners and edges will chip if not handled according to guidelines. Patch kits are available but may or may not blend and can be variable.
7. There is a level of care and maintenance associated with your product and is the responsibility of the end user. Choosing the right sealer can help minimize those costs.

WEIGHT: 2450 LBS  
TEXTURE: Smooth  
COLOR: ODC Medium Gray  
SEALER: Nano Tech Barrier



**OUTDOOR  
CREATIONS  
INC.**  
2270 Barney Street  
Anderson, CA 96007  
(530) 365-6106  
FAX (530) 365-5129



**NOTES:**

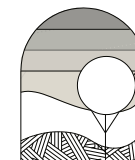
1. Concrete mix design to include a mixture of Portland Cement, water, coarse and fine aggregates, pure mineral oxide coloring agents (when applicable) to yield a minimum compressive strength of 5000 psi.
2. Final product shall be reinforced with #4 and #5 rebar grid.
3. Product is cast in 1-piece with no assembly required.
4. Hairline cracks may develop over time. These are not structural failures, but inherent characteristics of the material itself.
5. Air pockets are a common occurrence in precast products. The frequency and size of air pockets are variable and to be expected, especially on vertical surfaces.
6. Concrete corners and edges will chip if not handled according to guidelines. Patch kits are available but may or may not blend and can be variable.
7. There is a level of care and maintenance associated with your product and is the responsibility of the end user. Choosing the right sealer can help minimize those costs.

**BENCH INSTALLATION::**

This bench model will have cast in threaded inserts in the bottom of each leg. Bench will be supplied with coilrod for mechanical attachment, as an additional security method.  
 \*\*Bench requires epoxy applied to cover bottom of entire leg. Epoxy adhesive should be checked periodically to ensure continued adhesion.

\*Threaded inserts in legs for mounting dowels (1 per leg).  
 (2) 3/4" x 8" coilrods provided per bench for mounting.

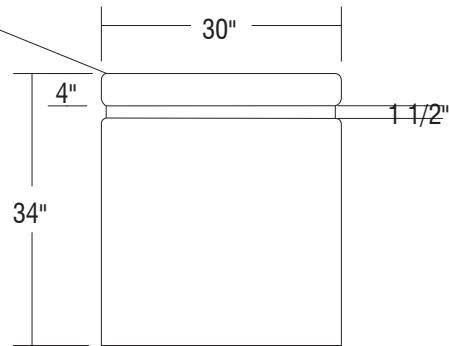
**WEIGHT: 2000 LBS**  
**TEXTURE: Smooth**  
**COLOR: ODC Medium Gray**  
**SEALER: Nano Tech Barrier**



**OUTDOOR CREATIONS INC.**  
 2270 Barney Street  
 Anderson, CA 96007  
 (530) 365-6106  
 FAX (530) 365-5129

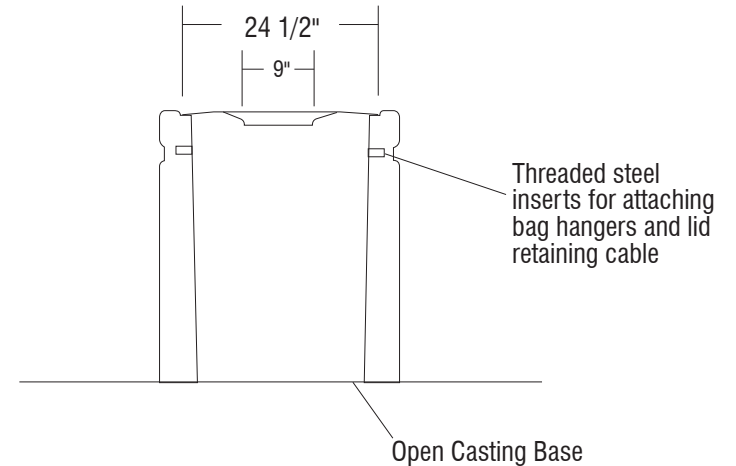
Radius 1/2"  
Outside Corners

ELEVATION

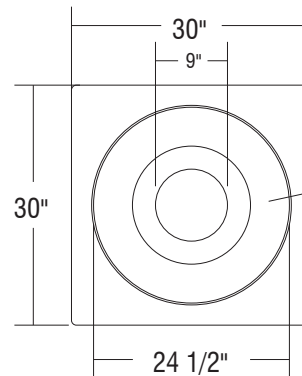


Recommended to secure trash receptacle to concrete slab with construction epoxy.

SECTION



PLAN

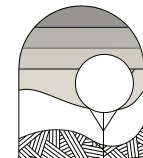


Lid made from 14 gauge steel powder coated black GR1372-BK05 with 9" trash opening. Attached to casting with 1/8" x 24" stainless steel aircraft security cable.

NOTES:

1. Concrete mix design to include a mixture of Portland Cement, water, coarse and fine aggregates, pure mineral oxide coloring agents (when applicable) to yield a minimum compressive strength of 5000 psi.
2. Final product shall be reinforced with #4 and #5 rebar grid.
3. Product is cast in 1-piece with no assembly required.
4. Hairline cracks may develop over time. These are not structural failures, but inherent characteristics of the material itself.
5. Air pockets are a common occurrence in precast products. The frequency and size of air pockets are variable and to be expected, especially on vertical surfaces.
6. Concrete corners and edges will chip if not handled according to guidelines. Patch kits are available but may or may not blend and can be variable.
7. There is a level of care and maintenance associated with your product and is the responsibility of the end user. Choosing the right sealer can help minimize those costs.

WEIGHT: 1600 LBS  
TEXTURE: Smooth  
COLOR: ODC Medium Gray  
SEALER: Nano Tech Barrier



**OUTDOOR  
CREATIONS  
INC.**  
2270 Barney Street  
Anderson, CA 96007  
(530) 365-6106  
FAX (530) 365-5129