

# DAKTRONICS MS-918 PRODUCT SPECIFICATIONS



This outdoor LED multisport scoreboard displays period time to 99:59, HOME and GUEST scores to 99 and INNING or PERIOD to nine with included reversible caption panel. Indicators show BALL, STRIKE, OUT, H (hit) and E (error) in baseball mode. When period time is less than one minute, the scoreboard displays time to 1/10 of a second. Scoreboard shown with optional striping and amber PanaView® digits.

		VINYL CAPTIONS (STANDARD)	TNMCs & VINYL CAPTIONS
<b>POWER (120 VAC)*</b>	Red/Amber Digits	130 Watts, 1.1 Amps	200 Watts, 1.7 Amps
	White Digits	260 Watts, 2.2 Amps	420 Watts, 3.5 Amps
<b>UNCRATED WEIGHT</b>		265 lb (120 kg)	345 lb (156 kg)
<b>DIMENSIONS</b>		5'-0" H x 14'-0" W x 8" D (1.52 m, 4.27 m, 203 mm)	

\*Scoreboard requires a dedicated circuit. Models with 240 VAC power at half the indicated amperage are also offered (International Use Only).

## DIGITS & INDICATORS

- INNING/PERIOD digit is 15" (381 mm) high. All other digits are 18" (457 mm) high. All indicators are 2" (51 mm) in diameter.
- Select red, amber, or white LED digits and indicators.
- Scoreboard features robust weather-sealed digits (see [DD2495646](#)).
- Digits may be dimmed for night viewing.

## CAPTIONS

- HOME and GUEST captions are 10" (254 mm) high. All other captions are 8" (203 mm) high.
- Standard captions are vinyl, applied to the display face. INNING and PERIOD captions are on a reversible panel.
- Optional TNMCs are 10.6" (269 mm) high.

## DISPLAY COLOR

Choose from 150+ colors (from Martin Senour® paint book) at no additional cost.

## CONSTRUCTION

Alcoa aluminum alloy 5052 for excellent corrosion resistance

## PRODUCT SAFETY APPROVAL

ETL-listed to UL 48, tested to CSA standards, and CE-labeled

## OPERATING TEMPERATURES

- Display: -22° to 122° Fahrenheit (-30° to 50° Celsius)
- Console: 32° to 130° Fahrenheit (0° to 54° Celsius)

[WWW.DAKTRONICS.COM](http://WWW.DAKTRONICS.COM) E-MAIL: [SALES@DAKTRONICS.COM](mailto:SALES@DAKTRONICS.COM)

201 Daktronics Drive, PO Box 5128, Brookings, SD 57006  
 Phone: 1-800-325-8766 or 605-692-0200 Fax: 605-697-4746  
 DD2167408 091720 Page 1 of 8



# DAKTRONICS MS-918 PRODUCT SPECIFICATIONS

CONTROL CONSOLES	CONTROL OPTIONS
<p><b>All Sport® 1600*</b> (see <a href="#">SL-04352</a>)</p> <p><i>*May be upgraded to</i> <b>All Sport 5000</b> (see <a href="#">SL-03991</a>)</p>	<p><b>Wired (standard):</b> One-pair shielded cable of 22 AWG minimum is required. A cover plate with mounted connector and standard 2" x 4" x 2" (51 mm x 102 mm x 51 mm) outlet box is provided. Connector mates with signal cable from control console.</p> <hr/> <p><b>Wireless (optional):</b> 2.4 GHz spread spectrum radio features 64 non-interfering channels and 8 broadcast groups (see <a href="#">SL-04370</a>).</p>
<p><b>RC-200</b> (see <a href="#">DD3715714</a>)</p>	<p><b>Optional</b> wireless handheld controller features 2.4 GHz spread spectrum radio with 64 non-interfering channels and 8-10 hours of operation via internal rechargeable battery.</p>
<p><b>DAK Score &amp; MX-1</b> (see <a href="#">DD3888368</a>)</p>	<p>CUSTOMER-SUPPLIED mobile device or tablet with DAK Score app installed communicates via <b>Bluetooth®</b> wireless technology to an MX-1 Interface Box that controls the scoreboard through 2.4 GHz radio or wired connection.</p>

**Note:** All Sport 5000 or DAK Score required for Team Name Message Centers.

## SEGMENT TIMER MODE

The segment timer mode is ideal for keeping practices on schedule. The horn at the end of a segment allows coaches and athletes to focus on the practice and to listen for the horn when it is time to change drills (see [SL-04004](#)).

## TIME OF DAY MODE

This scoreboard features a Time of Day (TOD) mode that allows it to act as a clock when the control console is unplugged or off. Refer to the scoreboard installation manual for instructions on how to enable the Time of Day mode.

## MOUNTING

Scoreboard is typically mounted on two vertical beams or poles. Hardware to mount scoreboard on two beams is included; hardware for more beams is at additional cost. Standard mounting uses I-beam clamps. Optional mounting method using angle brackets is also offered; maximum beam width is 12" (305 mm) and maximum beam depth is 22" (559 mm). Refer to attached drawings for more information on mounting methods.

## SERVICE ACCESS

Digit panels and electronics are serviced from the front of the scoreboard.

## GENERAL INFORMATION

Scoreboard provides scoring capabilities for two teams. 100% solid state electronics are housed in an all aluminum cabinet. Scoreboard is shipped in one section. Scoreboard power is to be provided on a dedicated circuit to prevent loss of game information due to failure of another component on the circuit. Specifications and pricing are subject to change without notice.

## ADVERTISING/IDENTIFICATION PANELS

### Backlit & Non-Backlit:

- 1'-6" H x 14'-0" W (457 mm, 4.27 m)
- 2'-0" H x 14'-0" W (610 mm, 4.27 m)
- 2'-6" H x 14'-0" W (762 mm, 4.27 m)

For additional non-backlit panel sizes, see [SL-03761](#).

## OPTIONS & ACCESSORIES

- Scoreboard border striping
- Multiple caption and striping colors (see [DD2101644](#))
- Team name caption in place of HOME \*
- Team names on changeable panels \*
- Programmable Team Name Message Centers (see [DD1696958](#))
- Reversible HALF and QTR caption panel
- Horn
- Individual digit protective screens (see [SL-04939](#))
- Protective netting (see [DD2690927](#))
- Optional angle bracket mounting method
- Advertising/identification panels
- Decorative accents
- Electronic message centers and video displays in multiple sizes

\* Not available with TNMCs

## FOR ADDITIONAL INFORMATION

- Installation Specifications: DWG-1157187 (attached)
- Standard I-beam Mounting: DWG-1052565 (attached)
- LVX I-Beam Mounting: DWG-3918361 (attached)
- Optional Pole Mounting: DWG-1048184 (attached)
- Component Locations: DWG-1074633 (attached)
- Architectural Specifications: See [SL-05167](#)

The Bluetooth® word mark and logos are registered trademarks owned by the Bluetooth SIG, Inc. and any use of such marks by Daktronics, Inc. is under license.

[WWW.DAKTRONICS.COM](http://WWW.DAKTRONICS.COM) E-MAIL: [SALES@DAKTRONICS.COM](mailto:SALES@DAKTRONICS.COM)

201 Daktronics Drive, PO Box 5128, Brookings, SD 57006  
Phone: 1-800-325-8766 or 605-692-0200 Fax: 605-697-4746  
DD2167408 091720 Page 2 of 8



# DAKTRONICS MS-918 PRODUCT SPECIFICATIONS

## ALTERNATE CAPTIONS & SCORING MODES

### Standard Vinyl Captions (PERIOD & INNING on included caption panel)



Baseball Mode



Lacrosse/Field Hockey Mode

### Optional Vinyl Captions on Reversible Panel



Football Mode



Soccer Mode

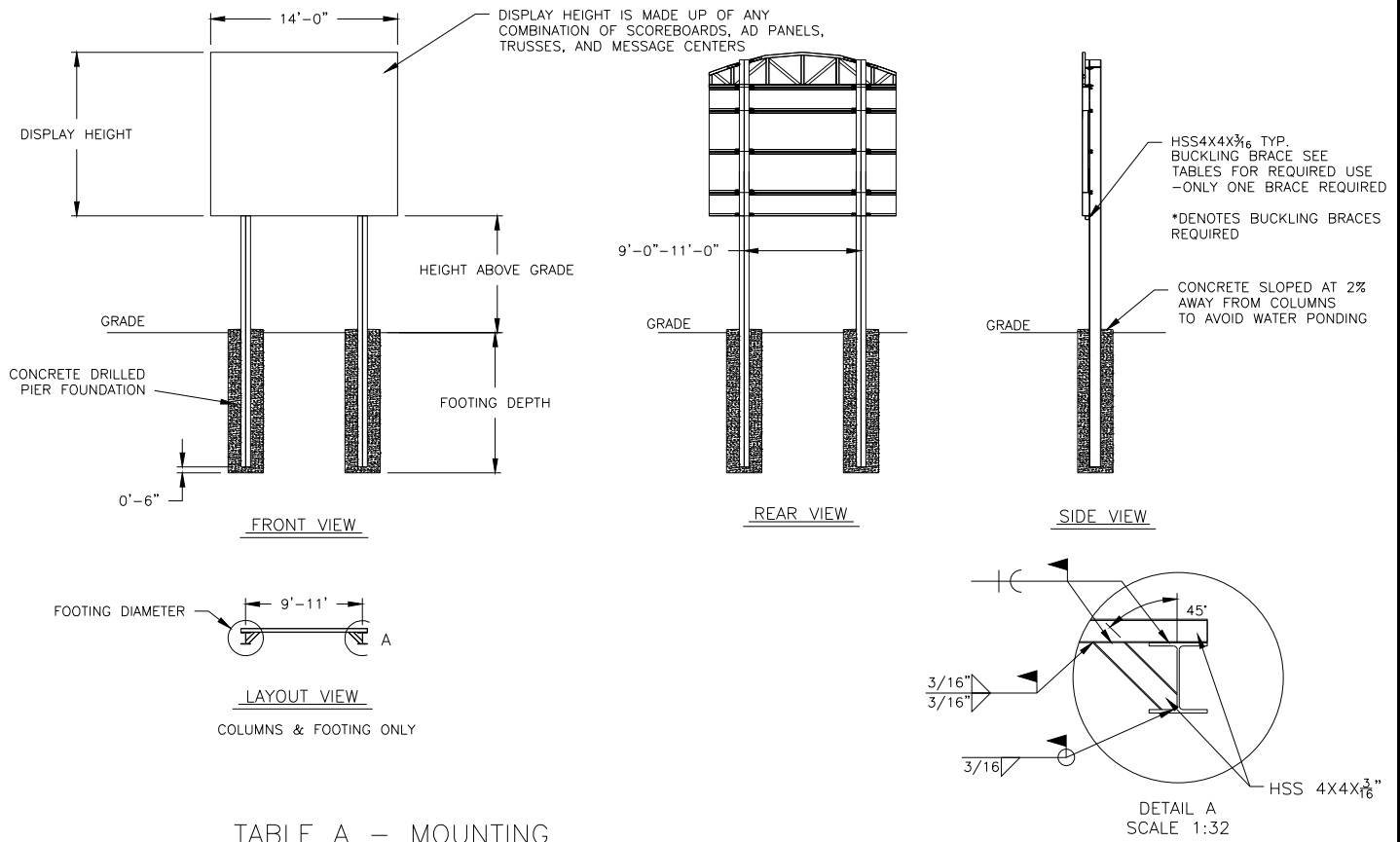


TABLE A - MOUNTING

EXPOSURE B

HEIGHT ABOVE GRADE = 10'					HEIGHT ABOVE GRADE = 15'						
DISPLAY HEIGHT (FT)	COLUMN FOOTING	DESIGN WIND VELOCITY				DISPLAY HEIGHT (FT)	COLUMN FOOTING	DESIGN WIND VELOCITY			
		115 MPH	130 MPH	150 MPH	170 MPH			115 MPH	130 MPH	150 MPH	170 MPH
6	W6X15 2.0'X6.5'	W8X21 2.0'X7.0'	W8X21 2.0'X8.0'	W10X22 2.0'X8.5'	6	W8X24 2.0'X7.5'	W8X24 2.0'X8.0'	W8X28 2.0'X9.0'	W8X31 2.0'X9.5'		
8	W10X22 2.0'X7.5'	W8X24 2.0'X8.0'	W8X24 2.0'X9.0'	W8X28 2.0'X10.0'	8	W8X31 2.0'X8.5'	W8X31 2.0'X9.0'	W10X33 3.0'X8.5'	W10X39 3.0'X9.5'		
10	W8X24 2.0'X8.5'	W8X28 2.0'X9.0'	W8X31 2.0'X10.0'	W10X33 3.0'X9.5'	10	W8X24* 2.0'X9.0'	W12X26* 2.0'X10.0'	W10X33* 3.0'X8.5'	W16X36* 3.0'X11.0'		
12	W8X28 2.0'X9.0'	W8X31 2.0'X10.0'	W10X39 3.0'X9.5'	W12X40 3.0'X11.0'	12	W12X26* 2.0'X10.0'	W14X30* 3.0'X9.5'	W16X36* 3.0'X11.0'	W14X43* 3.0'X12.0'		
14	W10X26* 2.0'X10.0'	W10X26* 3.0'X9.0'	W12X30* 3.0'X10.0'	W14X34* 3.0'X11.0'	14	W10X30* 3.0'X9.5'	W10X49* 3.0'X10.0'	W16X40* 3.0'X11.0'	W14X48* 3.0'X13.0'		

FOOTING DIMENSIONS = DIAMETER X DEPTH  
\* DENOTES BUCKLING BRACE REQUIRED

EXPOSURE C

HEIGHT ABOVE GRADE = 10'				HEIGHT ABOVE GRADE = 15'			
DISPLAY HEIGHT (FT)	COLUMN FOOTING	DESIGN WIND VELOCITY		DISPLAY HEIGHT (FT)	COLUMN FOOTING	DESIGN WIND VELOCITY	
		115 MPH	140 MPH			115 MPH	140 MPH
6	W8X21 2.0'X7.5'	W8X24 2.0'X8.5'		6	W12X26 2.0'X8.5'	W8X31 2.0'X9.5'	
8	W8X24 2.0'X8.5'	W8X28 2.0'X10.0'		8	W8X31 2.0'X9.5'	W10X39 3.0'X9.5'	
10	W8X31 2.0'X9.5'	W10X33 3.0'X9.5'		10	W12X30* 3.0'X9.0'	W16X36* 3.0'X11.0'	
12	W10X33 3.0'X9.0'	W12X40 3.0'X10.5'		12	W14X34* 3.0'X9.5'	W16X40* 3.0'X11.0'	
14	W12X26* 3.0'X9.5'	W14X34* 3.0'X11.0'		14	W14X38* 3.0'X11.0'	W14X48* 3.0'X13.0'	

FOOTING DIMENSIONS = DIAMETER X DEPTH  
\* DENOTES BUCKLING BRACE REQUIRED

NOTE:  
-REFER TO NOTE 7 FOR EXPOSURE CATEGORY DEFINITIONS.

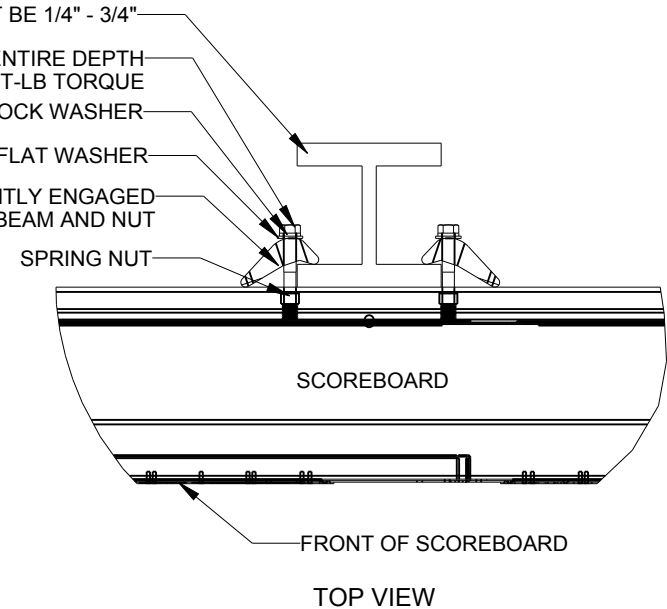
NOTES:

- FOOTING AND COLUMN SIZES ARE SUGGESTIONS ONLY, PROVIDED TO ASSIST WITH ESTIMATING INSTALLATION COSTS AND ARE NOT INTENDED FOR CONSTRUCTION PURPOSES. THE DESIGN MUST BE CERTIFIED BY A PROFESSIONAL ENGINEER LICENSED IN THE STATE OF THE INSTALLATION BEFORE THEY CAN BE USED FOR FABRICATION OR ERECTION.
- INTERNATIONAL BUILDING CODE 2012 USED IN DESIGN OF COLUMNS AND FOOTINGS WITH IMPORTANCE FACTOR=1, Kzt=1.0, Kd=0.85, G=0.85. SEISMIC DESIGN WAS NOT CONSIDERED.
- FOOTING DIMENSIONS ARE BASED ON ASSUMED SOIL CLASS 4 (ALLOWABLE LATERAL BEARING PRESSURE OF 150 psf).
- STRUCTURAL STEEL IS GRADE A992 (50 ksi) STEEL. CONCRETE SHALL HAVE A MINIMUM 28 DAY COMPRESSIVE STRENGTH OF 2500 psi.
- THE AVERAGE DISPLAY WEIGHT FOR A LAYOUT CAN NOT EXCEED 8 PSF.
- DAKTRONICS INC. IS NOT RESPONSIBLE FOR STRUCTURES DESIGNED AND INSTALLED BY OTHERS.
- LOCAL BUILDING OFFICIALS SHOULD BE CONTACTED TO DETERMINE THE WIND SPEED AND EXPOSURE CATEGORY FOR THE PROPOSED SIGN LOCATION. THE EXPOSURE CATEGORY C IS DEFINED AS:  
  
EXPOSURE B - URBAN AND SUBURBAN AREAS, OR OTHER TERRAIN WITH NUMEROUS SPACED OBSTRUCTIONS HAVING THE SIZE OF SINGLE-FAMILY DWELLINGS OR LARGER. THESE CONDITIONS MUST PREVAIL FOR A DISTANCE FROM THE SIGN OF AT LEAST 2,600 FT OR 20 TIMES THE SIGN HEIGHT, WHICHEVER IS GREATER  
  
EXPOSURE C - OPEN TERRAIN WITH SCATTERED OBSTRUCTIONS HAVING HEIGHTS GENERALLY LESS THAN 30 FT. THIS CATEGORY INCLUDES FLAT OPEN COUNTRY, GRASSLANDS, AND ALL WATER SURFACES IN HURRICANE PRONE REGIONS.
- FOR SPECIFIC PRODUCT DETAILS ON WEIGHT, MOUNTING, ETC. REFER TO THE INDIVIDUAL PRODUCT SPECIFICATION SHEETS.

	<b>DAKTRONICS, INC.</b> BROOKINGS, SD 57006		THE CONCEPTS EXPRESSED AND DETAILS SHOWN ON THIS DRAWING ARE CONFIDENTIAL AND PROPRIETARY. DO NOT REPRODUCE BY ANY MEANS WITHOUT THE EXPRESSED WRITTEN CONSENT OF DAKTRONICS, INC. COPYRIGHT 2013 DAKTRONICS, INC.	
	DO NOT SCALE DRAWING			
<b>PROJ: OUTDOOR SCOREBOARD INSTALLATION</b>				
<b>TITLE: 14' WIDTH SCOREBOARD INSTALLATION SPECS</b>				
DESIGN: RSCHWAR		DRAWN: RSCHWAR		DATE: 27 NOV 13
SCALE: 1/16"=1'				
SHEET	REV	JOB NO:	FUNC-TYPE-SIZE	<b>1157187</b>
02	02	P1647	E-10-A	

REV 02	DATE: 27 OCT 15	UPDATED WIDE FLANGE AND FOUNDATION VALUES	BY: AMP
REV 01	DATE: 23 JUL 14	UPDATED CLAMPS IN REAR AND SIDE VIEW AND ADDED 170 MPH WIND SPEC COLUMN	BY: TJT

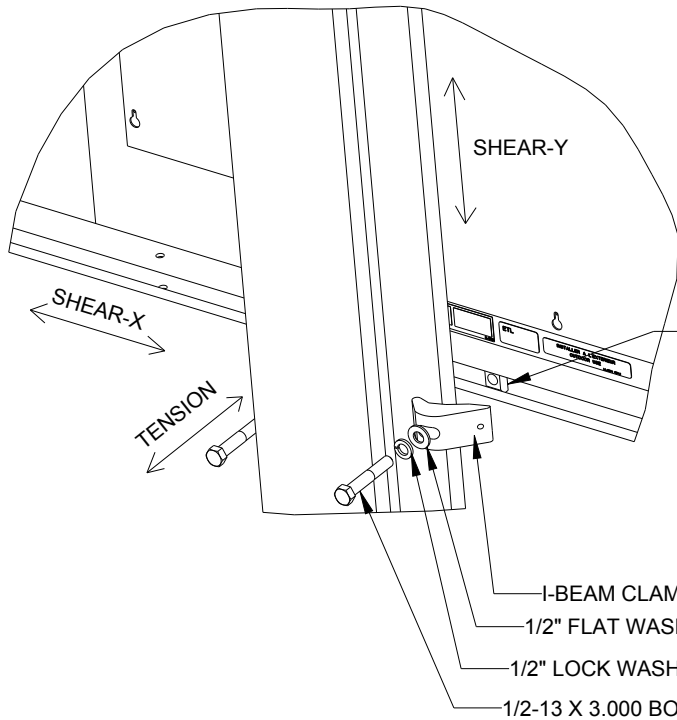
VERTICAL BEAM - FLANGE THICKNESS MUST BE 1/4" - 3/4"  
 1/2-13 X 3.000 BOLT - BOLT THREAD MUST ENGAGE ENTIRE DEPTH OF SPRING NUT. BOLT MUST BE TIGHTENED TO 40FT-LB TORQUE  
 1/2" LOCK WASHER  
 1/2" FLAT WASHER  
 I-BEAM CLAMP - ASSURE CLAMP IS TIGHTLY ENGAGED TO I-BEAM AND NUT



**\*\*\*CRITICAL\*\*\***  
**DO NOT USE ANY LUBRICANT ON ANY MOUNTING HARDWARE OR WARRANTY WILL BE VOIDED**

05	22 DEC 15	PER EC-22871; ADDED LUBRICANT NOTE	PJS 18704
04	06 JAN 14	ADDED ALLOWABLE TENSION AND SHEAR CAPACITY DETAILS	JAVA
03	23 OCT 13	PER EC-12382; CHANGED BOLT TORQUE FROM 30 FT-LB TO 40 FT-LB	NJM
02	07 MAR 12	ADDED STANDARD MOUNTING METHODS NOTES	KDD
01	21 FEB 12	CHANGED ROCKER TO I-BEAM	KDD
REV	DATE:		BY:

		THE CONCEPTS EXPRESSED AND DETAILS SHOWN ON THIS DRAWING ARE CONFIDENTIAL AND PROPRIETARY. DO NOT REPRODUCE BY ANY MEANS WITHOUT THE EXPRESS WRITTEN CONSENT OF DAKTRONICS, INC. OR ITS WHOLLY OWNED SUBSIDIARIES. COPYRIGHT 2016 DAKTRONICS, INC. (USA)			
PROJECT: OUTDOOR SCOREBOARD					
TITLE: P1647; I-BEAM CLAMP MOUNTING					
DATE: 22-DEC-15		DIM UNITS: INCHES [MILLIMETERS]		SHEET REV	
SCALE: 1/8		DO NOT SCALE DRAWING		1 OF 1 05	
DESIGN: MCARSRU		JOB NO. P1647		FUNC - TYPE - SIZE E - 07 - A	
DRAWN: MCARSRU		<b>1052565</b>			



SPRING NUT  
**\*\*\*CRITICAL\*\*\***  
 MAKE SURE SPRING NUT IS TURNED TO VERTICAL POSITION INSIDE SCOREBOARD CHANNEL

EXPLODED REAR ISOMETRIC VIEW

## STANDARD MOUNTING METHOD

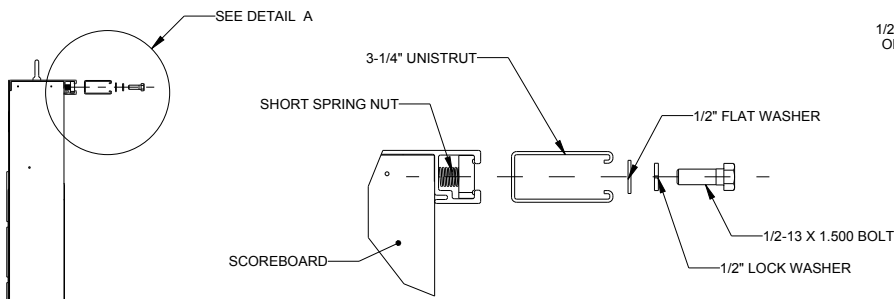
### MOUNTING INSTRUCTIONS:

1. PLACE SPRING NUTS INTO SCOREBOARD CHANNEL IN APPROXIMATE LOCATION OF VERTICAL BEAMS
2. LIFT SCOREBOARD INTO POSITION
3. MAKE SURE THE 1/2-13 BOLTS ARE AS CLOSE TO THE I-BEAM FLANGES AS POSSIBLE
4. WHEN SCOREBOARD IS ADJUSTED TO FINAL DESIRED POSITION, TIGHTEN BOLTS FIRMLY
5. IF FLANGE THICKNESS IS MORE THAN 3/4" THICK LONGER BOLTS WILL BE REQUIRED AT THE CUSTOMER'S EXPENSE.

## STRUCTURAL NOTES

ALLOWABLE CAPACITY PER EACH CLAMP:  
 SHEAR = 160 LBS  
 TENSION = 2300 LBS

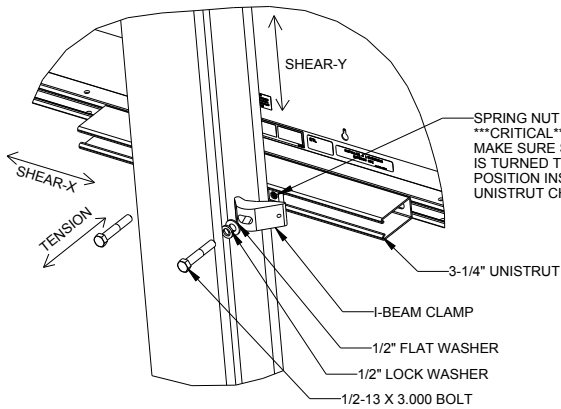
SHEAR AND TENSION LOAD DIRECTION ARE AS INDICATED ON REAR ISOMETRIC VIEW



**DETAIL A  
SCALE 1/4**

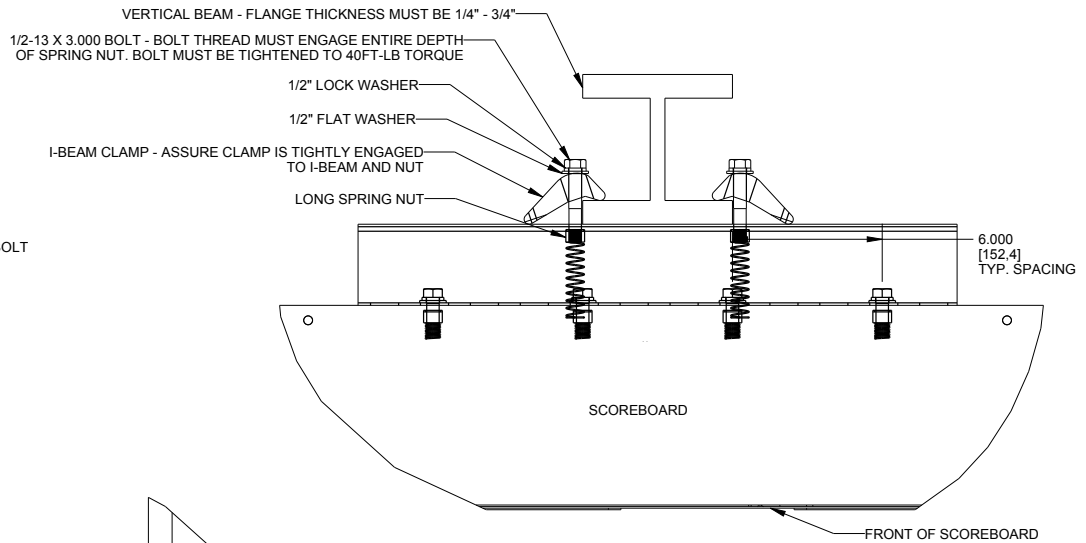
RECOMMENDED METHOD OF INSTALLATION:  
 - INSTALL 1 1/2" BOLT, 1/2" LOCK WASHER, 1/2" FLAT WASHER  
 USING SHALLOW SOCKET WITH EXTENSION.  
 - ENTER FROM SIDE OF UNISTRUT SECURING INSIDE BOLTS  
 FIRST AND MOVING OUTWARD.

**EXPLODED SIDE VIEW  
UNISTRUT ATTACHMENT  
SCALE 1/15**



**EXPLODED REAR ROTATED VIEW**

SCALE 1/8



**TOP VIEW**

**STRUCTURAL NOTES**

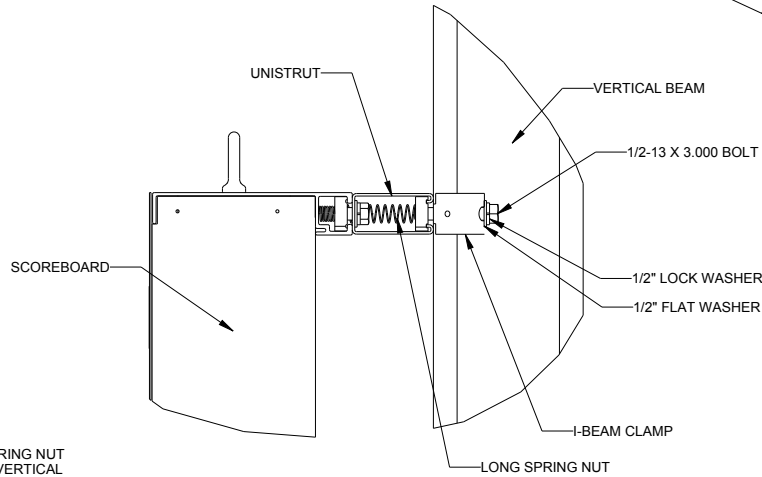
ALLOWABLE CAPACITY PER  
COLUMN CONNECTION:  
 SHEAR = 185 LBS  
 TENSION = 2400 LBS

SHEAR AND TENSION LOAD  
DIRECTION ARE AS INDICATED ON  
REAR ISOMETRIC VIEW

**STANDARD MOUNTING METHOD**

**MOUNTING INSTRUCTIONS:**

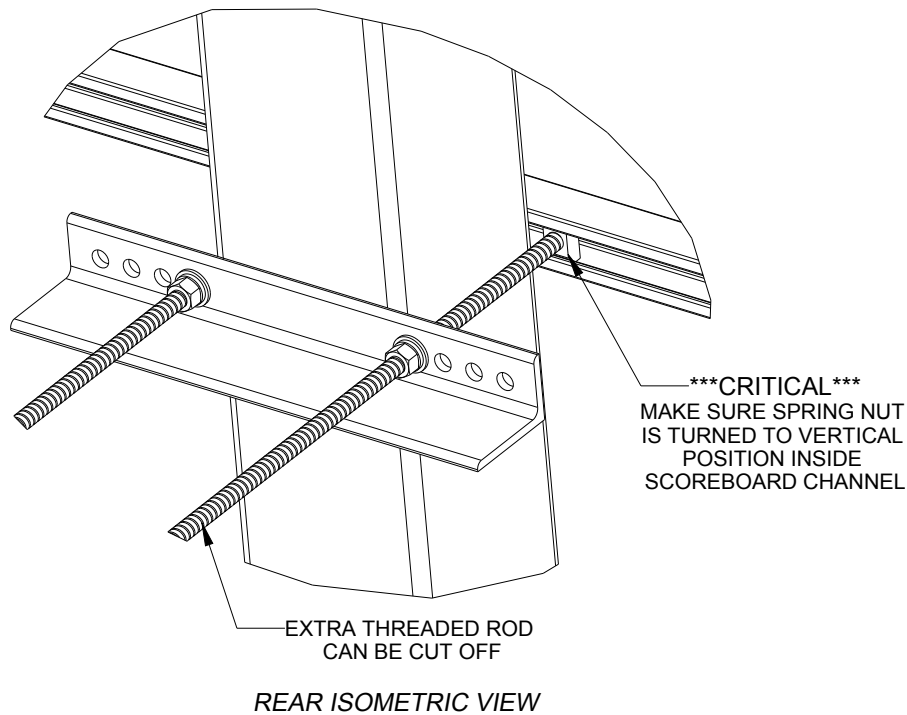
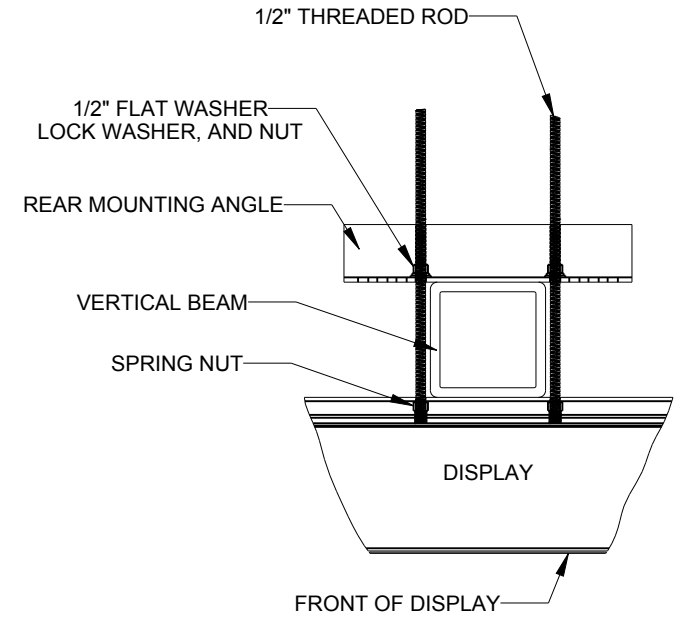
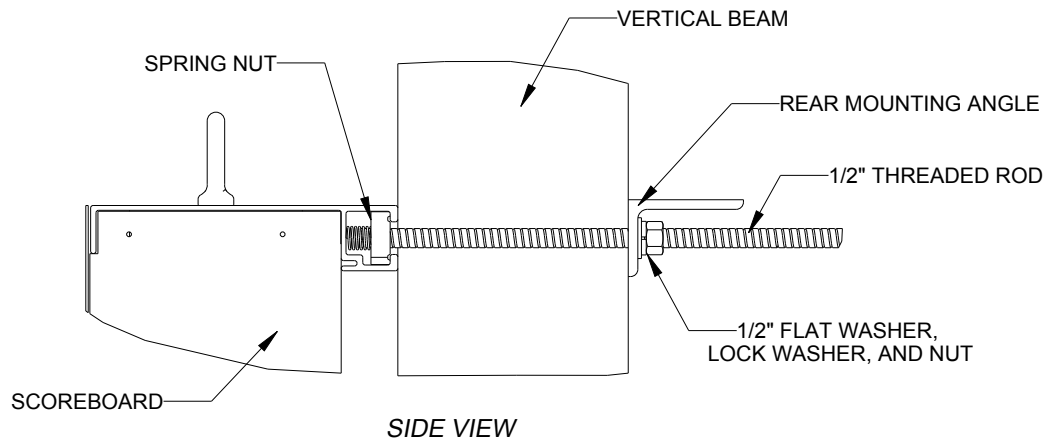
1. PLACE SPRING NUTS INTO SCOREBOARD CHANNEL IN LOCATIONS SHOWN IN TOP VIEW
2. PLACE SPRING NUTS IN UNISTRUT IN APPROXIMATE LOCATION OF VERTICAL BEAMS
3. LIFT SCOREBOARD INTO POSITION
4. MAKE SURE THE 1/2-13 BOLTS ARE AS CLOSE TO THE I-BEAM FLANGES AS POSSIBLE
5. WHEN SCOREBOARD IS ADJUSTED TO FINAL DESIRED POSITION, TIGHTEN BOLTS FIRMLY
6. IF FLANGE THICKNESS IS MORE THAN 3/4" THICK LONGER BOLTS WILL BE REQUIRED AT THE CUSTOMER'S EXPENSE.



**SIDE VIEW  
SCOREBOARD ATTACHMENT**

\*\*\*CRITICAL\*\*\*  
 DO NOT USE ANY LUBRICANT  
 ON ANY MOUNTING HARDWARE  
 OR WARRANTY WILL BE VOIDED

REV	DATE:	BY:	
THE CONCEPTS EXPRESSED AND DETAILS SHOWN ON THIS DRAWING ARE CONFIDENTIAL AND PROPRIETARY. DO NOT REPRODUCE BY ANY MEANS WITHOUT THE EXPRESS WRITTEN CONSENT OF DAKTRONICS, INC. OR ITS WHOLLY OWNED SUBSIDIARIES. COPYRIGHT 2018 DAKTRONICS, INC. (USA)			
<b>PROJECT: OUTDOOR SCOREBOARD</b>			
<b>TITLE: P1647: LVX I-BEAM CLAMP MOUNTING</b>			
DATE:	18-MAY-18	DIM UNITS:	INCHES (MILLIMETERS)
SCALE:	1/5	DO NOT SCALE DRAWING	SHEET 1 OF 1
DESIGN:	KDRAGT	JOB NO.:	P1647
DRAWN:	KDRAGT	FUNC - TYPE - SIZE:	E - 07 - B
			REV 00
			<b>3918361</b>



TOP VIEW  
SCALE 1/10

**\*\*\*CRITICAL\*\*\***  
DO NOT USE ANY LUBRICANT  
ON ANY MOUNTING HARDWARE  
OR WARRANTY WILL BE VOIDED

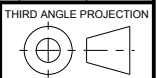
**STRUCTURAL NOTES:**  
- BOLT TORQUE: 30 FT-LB

**NOTES:**  
- THREADED RODS RUN ALONG BOTH SIDES OF BEAM  
- RODS DO NOT PASS THROUGH THE FLANGES OF THE BEAM  
- NO DRILLING NECESSARY  
- MAKE SURE SPRING NUT IS PERPENDICULAR TO CHANNEL OPENING ON SCOREBOARD

04	22 DEC 15	PER EC-22871; ADDED LUBRICANT WARNING	PJS 18704
03	03 JULY 13	ADDED STRUCTURAL NOTE	TTF
02	20 SEP 12	PER EC-7114; REMOVED CHAMFER FROM 0M-133259	LMG
01	06 OCT 11	REPLACED VERTICAL I-BEAM WITH 6" X 6" SQUARE TUBE	JAVA
REV	DATE:		BY:



THE CONCEPTS EXPRESSED AND DETAILS SHOWN ON THIS DRAWING ARE CONFIDENTIAL AND PROPRIETARY. DO NOT REPRODUCE BY ANY MEANS WITHOUT THE EXPRESS WRITTEN CONSENT OF DAKTRONICS, INC. OR ITS WHOLLY OWNED SUBSIDIARIES. COPYRIGHT 2016 DAKTRONICS, INC. (USA)



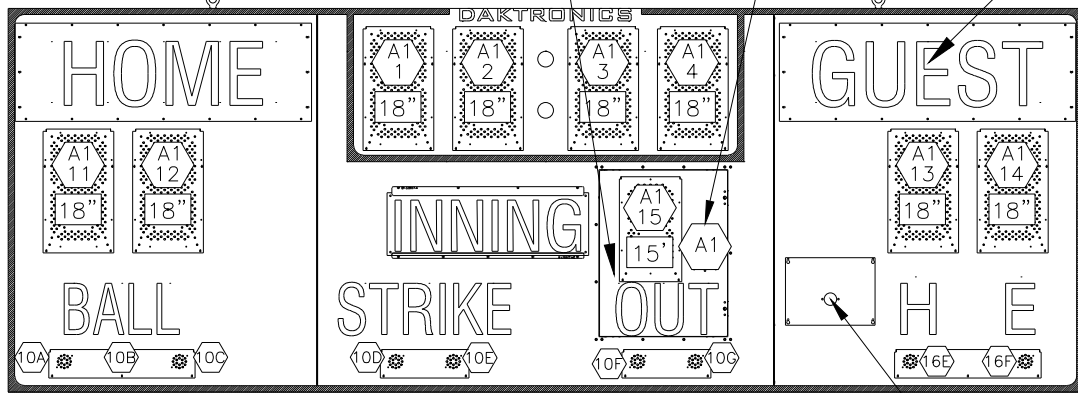
PROJECT: OUTDOOR SCOREBOARDS			
TITLE: P1647; POLE MOUNTING OPTIONS			
DATE: 22-DEC-15	DIM UNITS: INCHES [MILLIMETERS]	SHEET	REV
SCALE: 1/5	DO NOT SCALE DRAWING	1 OF 1	04
DESIGN: DOPPELT	JOB NO. P1647	FUNC - TYPE - SIZE E - 10 - A	1048184
DRAWN: DOPPELT			

MS-918-R/A/W

PRIMARY DRIVER (A1)  
KNOCKOUTS FOR 1/2" CONDUIT  
SIGNAL OPTION ON THIS DRIVER  
(WIRE, FIBER, OR RADIO)

OPTIONAL RADIO


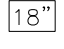
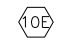
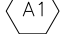
OPTIONAL TNMCS  
8x32-34mm




LAYOUT VIEW

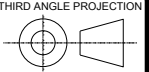
OPTIONAL HORN

NOTES:

-  = LED DRIVER NUMBER & LED DRIVER CONNECTOR WIRED TO THAT DIGIT.
-  = DIGIT SIZE
-  = SEGMENT DESIGNATION
-  = DRIVER NUMBER

REV 05	DATE: 11 AUG 20	PER CN-107905 REMOVED LABELS TO MOVE TO NEW STANDARD	BY: TAN
REV 04	DATE: 20 DEC 18	PER CN-70022; MOVED DAKTRONICS LABEL TO TOP SECTION OF SCOREBOARD	BY: JDG
REV 03	DATE: 21 MAR 18	PER CN-51506. UPDATED FRSH T LAYOUT	BY: KDD
REV 02	DATE: 9 AUG 16	PER EC-21300; UPDATE HORN LOCATION	BY: MJR
REV 01	DATE: 27 FEB 15	PER EC-17119. REMOVED DETAIL A ADDED SIGNAL OPTION NOTE CHANGED SLAVE AND MASTER DRIVER NAMES	BY: KDB

 THE CONCEPTS EXPRESSED AND DETAILS SHOWN ON THIS DRAWING ARE CONFIDENTIAL AND PROPRIETARY. DO NOT REPRODUCE BY ANY MEANS WITHOUT THE EXPRESS WRITTEN CONSENT OF DAKTRONICS, INC. OR ITS WHOLLY OWNED SUBSIDIARIES. COPYRIGHT 2016 DAKTRONICS, INC. (USA)



PROJECT: OUTDOOR LED SCOREBOARDS			
TITLE: COMPONENT LOCATION; MS-918-201X-R/A/W-PV-F			
DATE: 7 NOV 11	DIM UNITS: INCHES [MILLIMETERS]	SHEET	REV 05
SCALE: 1=30	DO NOT SCALE DRAWING		
DESIGN: KDRAGT	JOB NO. P1647	FUNC - TYPE - SIZE R - 08 - A	1074633
DRAWN: ZRYKHUS			